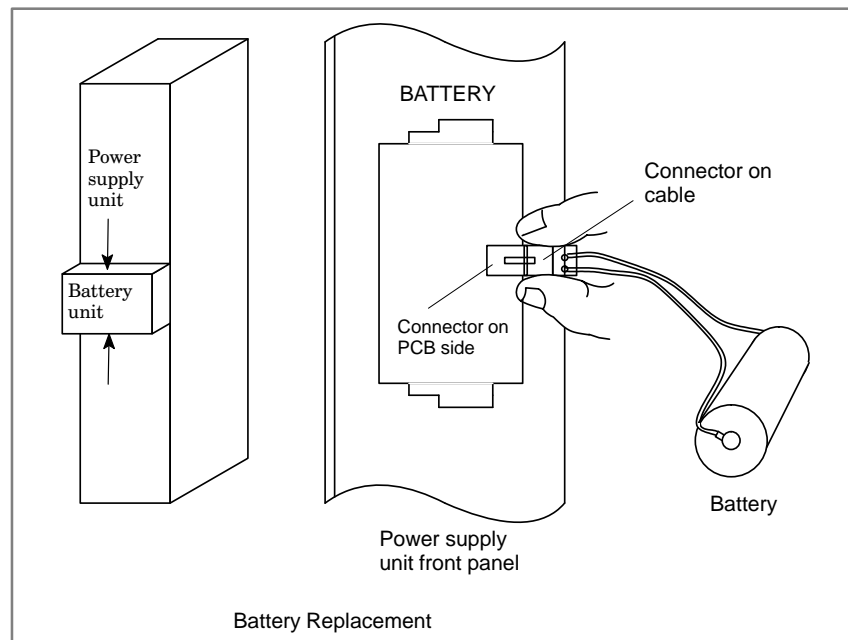


2.8 HOW TO REPLACE THE BATTERIES

2.8.1 Replace the Battery for Memory Back Up

1. Lithium battery (Order number is *A02B-0200-K102) is required.
2. The battery used for memory back up is located on the front of the main board.
3. Remove the battery cover on the main board by holding the upper and lower part of the battery cover and pulling it towards you. Then take off the battery.
4. Remove the connector on the main board towards you.
If you replace the battery while the CNC power is off, you should replace it within 30 minutes. If it will take more than 30 minutes, you should replace the battery with power on. Or the CNC memory contents will be lost.
5. Connect the connector of new battery.
6. Mount a battery and put the battery cover back on.



* FANUC's order number : A98L-0031-0012