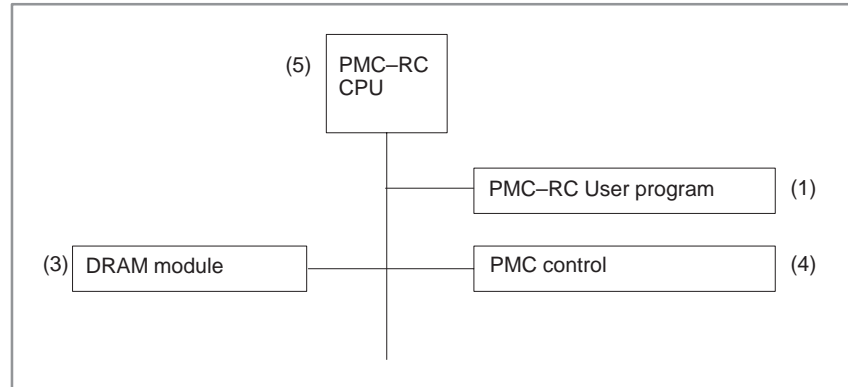


# 8.37 ALARM 951 (PMC WATCH DOG ALARM)

A watch dog alarm has generated in PMC-RC.

## Causes and Remedies

Option 3 board or a module on the option 3 board



- Option 3 board is faulty.
- PMC DRAM module (4) is faulty.
- PMC control module (5) is faulty.

## Module mounting position

(Option 3 board)

